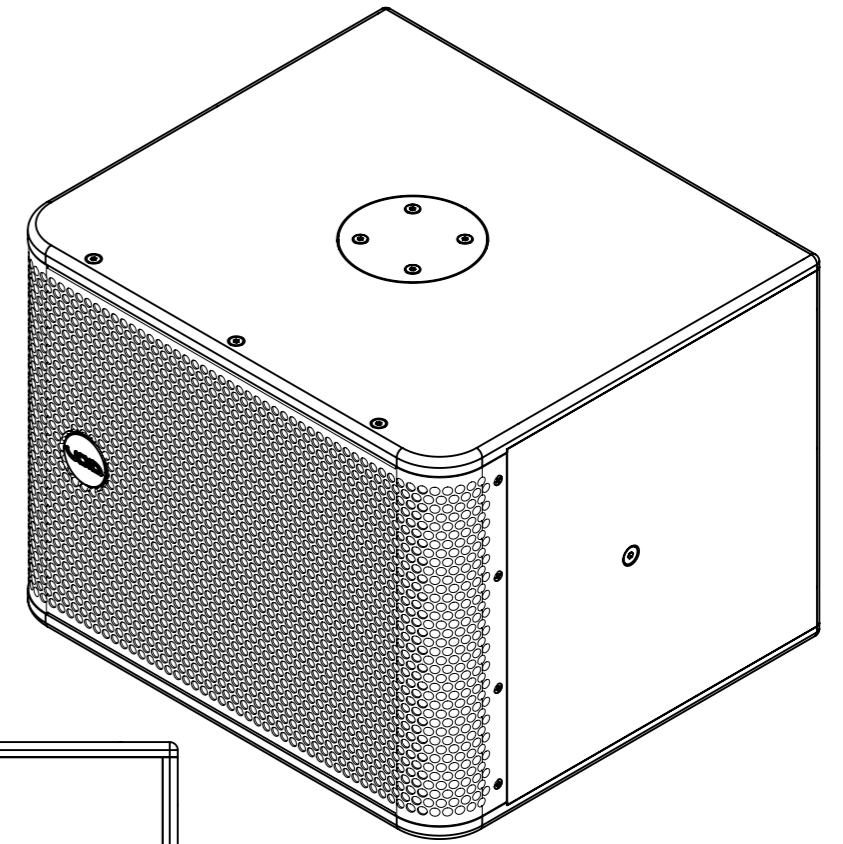
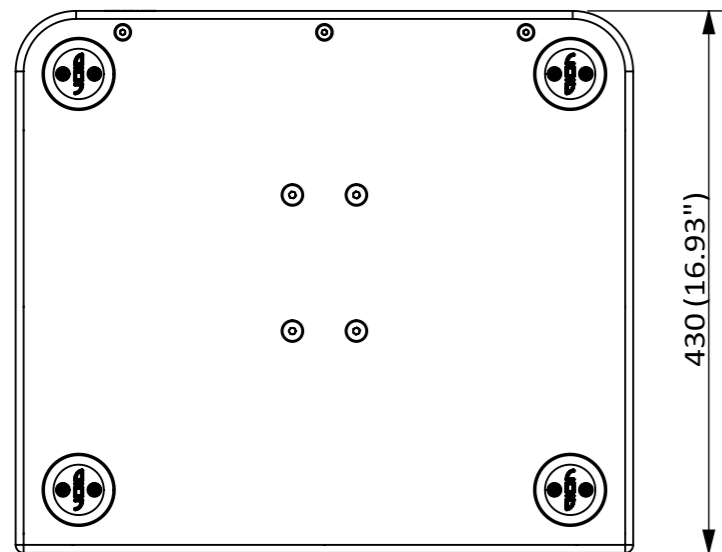
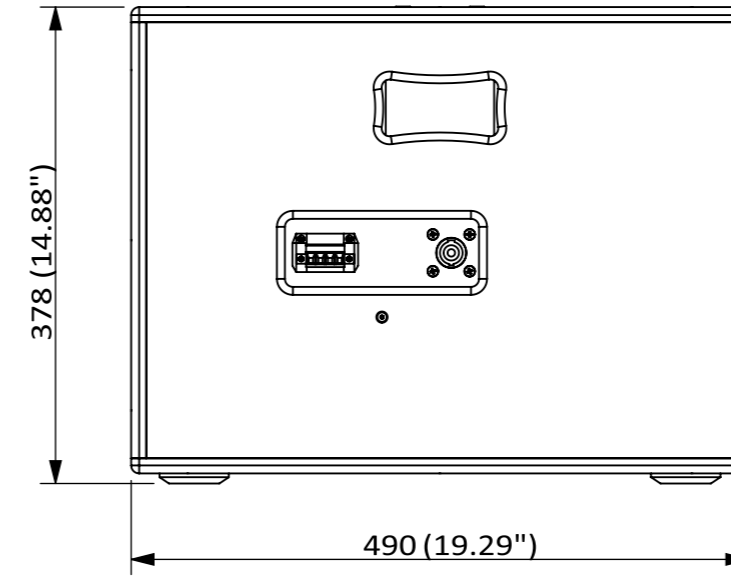
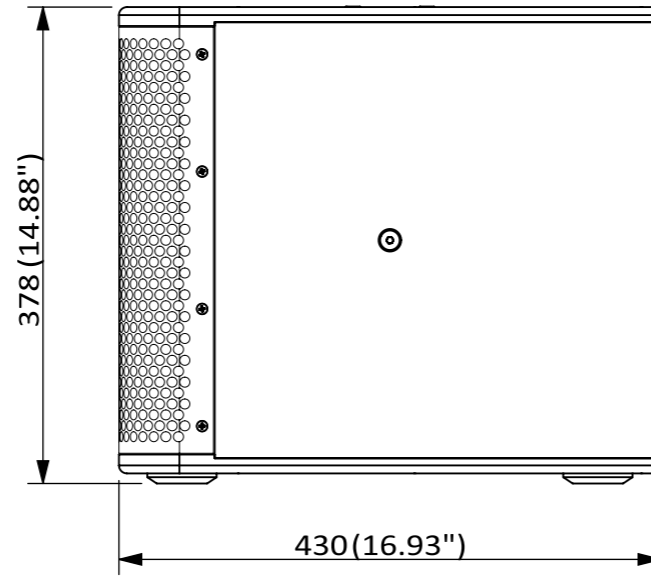
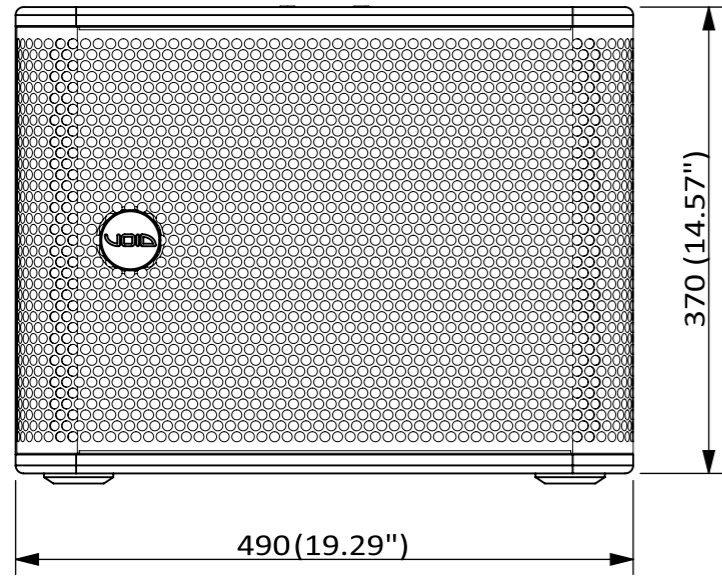
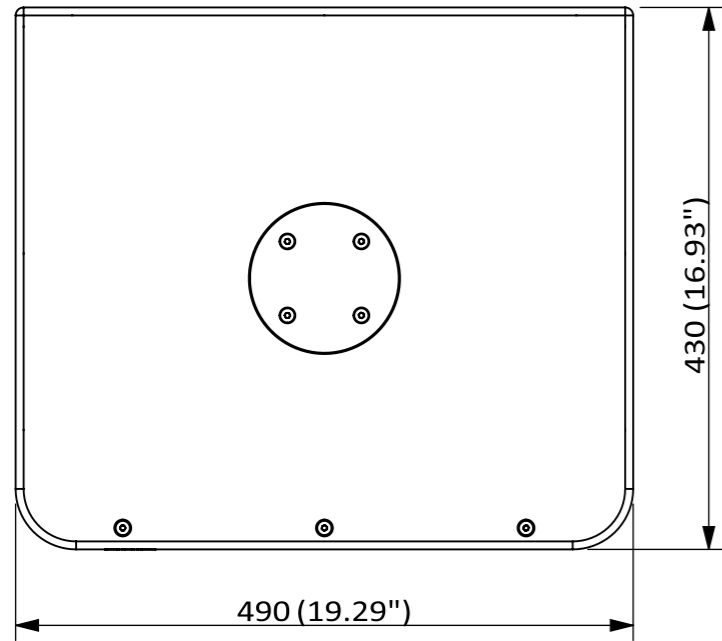


IF IN DOUBT ASK



		NAME	DATE	DIMENSIONS IN MILLIMETRES				
DRAWN	Shen	23/01/2019	FABRICATION <small>UNLESS OTHERWISE STATED</small>		MACHINING <small>UNLESS OTHERWISE STATED</small>			
			UP TO 500mm	+/-0.5mm	0, mm	+/- 0.5 mm	BREAK EDGE	
CHECKED			500mm - 1m	+/-1.0mm	0.0 mm	+/- 0.2 mm	0.05 - 0.15mm	
			1m - 5m	+/-2.0mm	0.00mm	+/- 0.1mm	FILLET RADII	
			5m - 10m	+/-5.0mm	0.000mm	+/- 0.01mm	0.1 - 0.3mm	
APPROVED			ANGULAR	±1°	ANGULAR	±0.5°		
			<small>SURFACE TEXTURE VALUES IN MICROMETRES (µm) TO BS1134-PT2. ALL MACHINED SURFACES TO BE ✓</small>				<small>ALL SCREW THREADS TO BS3643 PT.2</small>	

TITLE: Venu Bass V2 Assembly		DRAWING No. SP00015_001	
PROJECT: Venu Bass V2		SAP No.	REV. A
MATERIAL:	GUAGE: (mm)	EST. WEIGHT: (Kg) 24	
FINISH:	COLOUR:	TEXTURE:	
THIRD ANGLE PROJECTION TO BS 8888		SCALE: 1:6	SHT 1 OF 1 SHTS
		SHEET: A3	



REPRODUCTION OF ANY PART OF THIS DOCUMENT IS FORBIDDEN WITHOUT PRIOR PERMISSION FROM VOID ACOUSTICS.
 © DESIGN COPYRIGHT RESERVED.
 CONFIDENTIAL AND PROPRIETARY INFORMATION OF VOID ACOUSTICS.