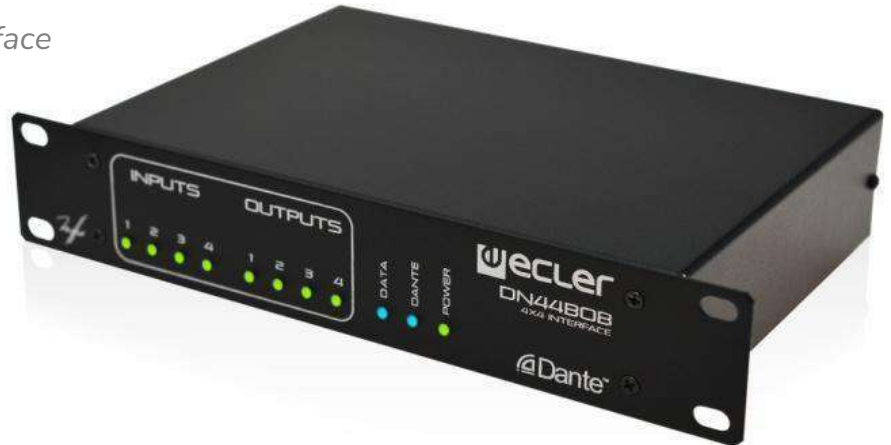


DN44BOB

DIGITAL MATRIXES

DANTE™/AES67 Digital Audio Interface



PRODUCT OVERVIEW

ECLER DN44BOB is a 4 inputs and 4 outputs DANTE™/AES67 (Audio Over IP) Break Out Box. It allows to convert 4 analogue audio signals into 4 DANTE™/AES67 channels and send them into an Ethernet LAN, as well as to take 4 DANTE channels from the Ethernet network and convert them to analogue audio signals. It includes 4 GPI control ports (0-10VDC) and 4 GPO control ports (NO/NC relays).

It can be used together with EclerNet DANTE™/AES67 ready products or as a stand-alone DANTE™/AES67 interface, together with any audio device including analogue audio inputs and/or outputs.

KEY FEATURES

- Ethernet, interface, DANTE™/AES67 audio and EclerNet compatible
- 4 MIC/LINE balanced inputs, with Phantom Power and 3 sensitivity levels, Euroblock connector
- 4 balanced LINE Outputs, Euroblock connector
- 4 GPI ports (0-10VDC)
- 4 GPO ports, NO / NC
- Rack-mount kit included: 1UHRMKIT + PUM3- Rack-mount accessories to mount 2 half- width RU devices in 1 standard width RU space or to mount 1 half- width RU device in 1 standard width RU space

APPLICATIONS

- Retail
- Hospitality
- Leisure
- Corporate
- Sports & Wellness

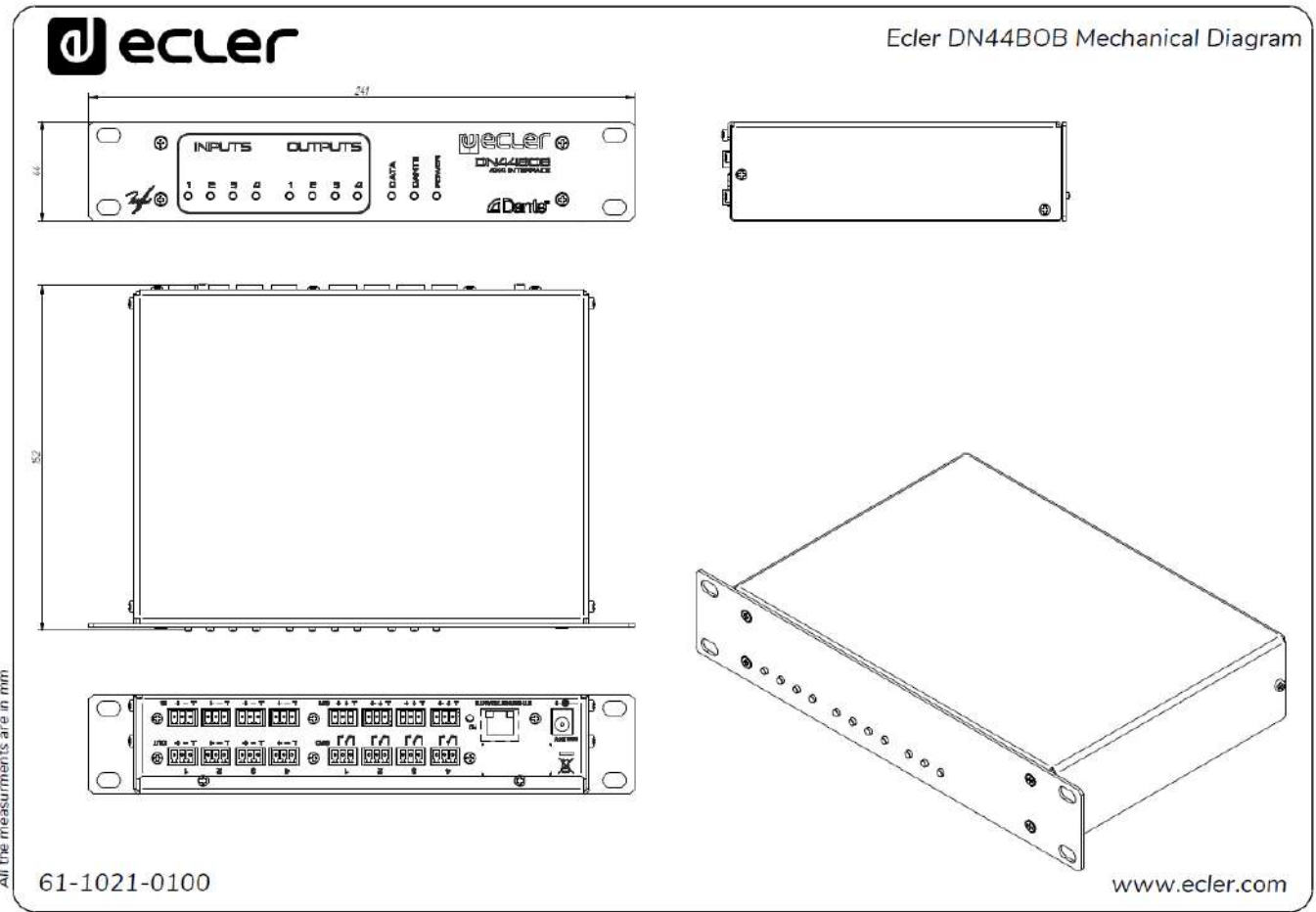
TECHNICAL SPECIFICATIONS

DN44BOB

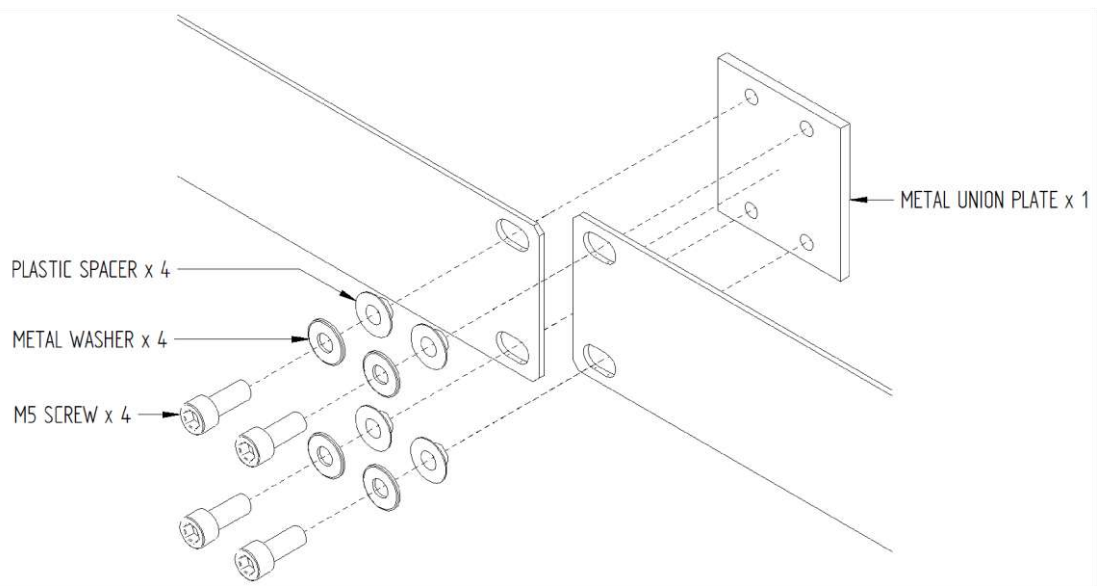
DSP	
DSP	32bit
Sampling Rate	44.1/ 48 / 88.2 / 96 kHz
Latency (fs = 48kHz)	1ms
AD/DA Converters	
Resolution	24bit AKM
Dynamic Range	AD:110dB; DA: 115dB
Latency (fs = 48kHz)	AD 0,81ms; DA: 0,56
Analog Input/Output	
4 Input/Output	Phoenix connector (Symmetrical)
Analog Input headroom	+27dBV = +30dBu
Max. output level	+18dBV = +21dBu
Input sensitivity @ 0dBV out	From -50dBV to +10dBV in 0.5dB step
Input Impedance	Balanced, >4kΩ
Phantom power	+18VDC, 5mA max. software switched
Frequency response (-3dB)	5Hz to 24kHz
Flatness	better than ±0.1dB
THD+Noise @ 1kHz, 0dBV input (line)	<0.004%
THD+Noise @ 1kHz, -40dBV input (mic.)	<0.008%
Output Noise floor FFT (20Hz - 20kHz)	better than 115dB
Interchannel crosstalk (20Hz - 20kHz)	better than 90dB (100dB typ.)
Channel Leakage (20Hz - 20kHz)	better than 100dB (115dB typ.)
CMRR 20Hz- 20kHz	65dB typ.
DANTE™/AES67 Audio Interface	
DANTE™/AES67 Network Inputs/Outputs	4 / 4
Latency	1 / 2 / 5ms (selectable)
Connector	1 x RJ45
Cable length between devices	100m CAT5 or CAT5e/CAT6
Processing	
Input Level (x4)	Range: from Off to 0 dB Mute: Yes Signal Polarity reverse: Yes Metering: VU+clip pre & post fader
Output Level (x4)	Range: from Off to 0 dB Mute: Yes Solo: Yes Signal Polarity reverse: Yes Metering: VU+clip pre & post fader
Output Gain (x4)	Range: from 0 to +6dB
Built in Signal Generator	Sine: from 20Hz to 20kHz Polarity: from 20Hz to 20kHz White noise Pink noise
Output Limiter (x8)	Bypass On-Off

Mechanical	
Dimensions (WxHxD)	241x44x152mm
Weight	1.1kg
Supply	
DC supply	24 VDC
Mains (Using supplied DC adapter)	100-240VAC + External PSU 24VDC
Power consumption	6.5 W
Miscellaneous	
Management Connectivity	Ethernet Base-Tx 10/100Mb; Auto X-Over CAT5 up to 100m.
GPI	4, from 0 to 10VDC or TTL level
GPO	4, 3 poles isolated relay; 1A, 48 VDC max
Software	
EclerNet Manager	From v3.05r2 version
Operating System	Windows® 10; W8.1; W8; W7; Vista (SP1); XP Prof. (SP3); W2000 Prof. (SP4)
Minimum EclerNet System Requirements	Pentium IV @ 1GHz 512MB RAM 40MB HDD free space 800x600 pixels & 16bits colour display 10/100/1G Ethernet Network card

MECHANICAL DIAGRAM



MOUNTING PUM3 DIAGRAM





All product characteristics are subject to variation due to production tolerances. **NEEC AUDIO BARCELONA S.L.** reserves the right to make changes or improvements in the design or manufacturing that may affect these product specifications.

For technical queries contact your supplier, distributor or complete the contact form on our website, in [Support / Technical requests](#).

Motors, 166-168 | 08038 Barcelona, Spain | (+34) 932238403 | information@ecler.com | www.ecler.com