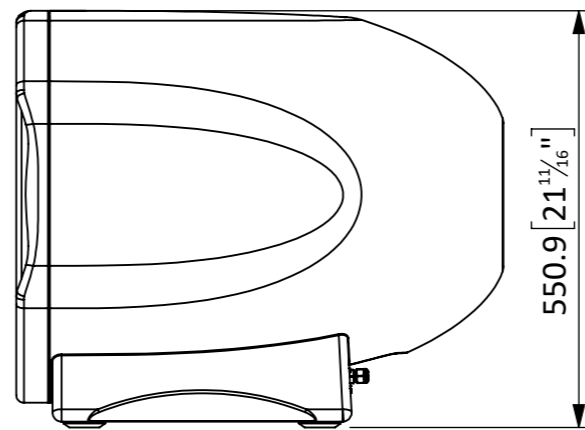
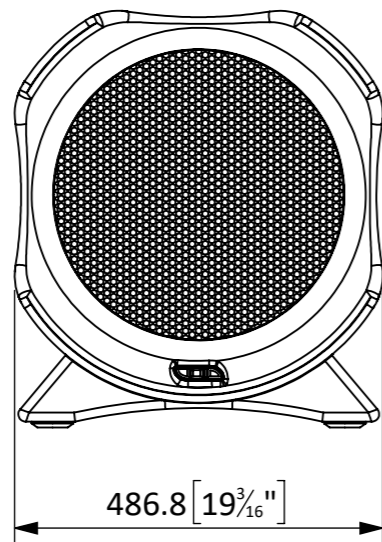
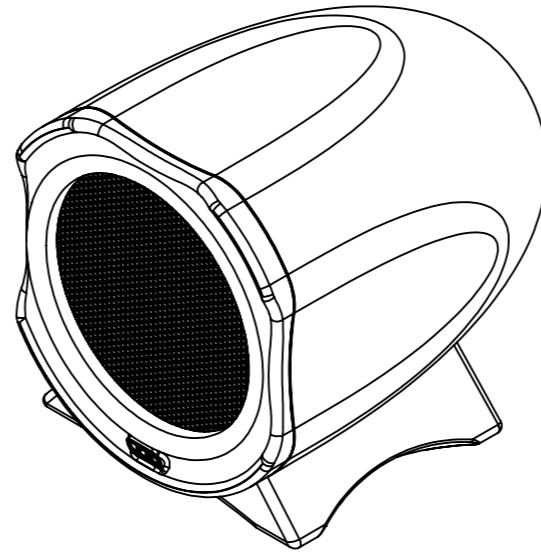
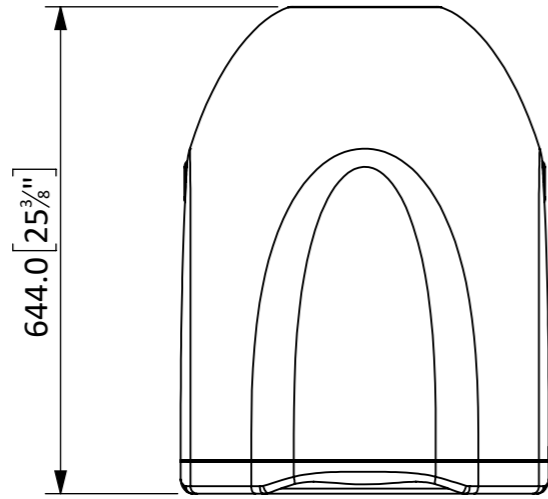


IF IN DOUBT ASK

| ISSUE | DATE | DRAWN | ECR No  | CHECKED | APPROVED |
|-------|------|-------|---------|---------|----------|
| 1     |      |       | NEW DWG |         |          |



| DIMENSIONS IN MILLIMETRES              |          |                                      |            |
|--|----------|--------------------------------------|------------|
| FABRICATION<br>UNLESS OTHERWISE STATED |          | MACHINING<br>UNLESS OTHERWISE STATED |            |
| UP TO 300mm                            | +/-0.2mm | 0, mm                                | +/- 0.5 mm |
| 300mm-500mm                            | +/-0.5mm | 0,0 mm                               | +/- 0.2 mm |
| 500mm - 1m                             | +/-1.0mm | 0,00mm                               | +/- 0.1mm  |
| 1m - 5m                                | +/-2.0mm | 0,000mm                              | +/- 0.01mm |
| ANGULAR                                | ±1°      | ANGULAR                              | ±0,5°      |

SURFACE TEXTURE VALUES IN MICROMETRES (µm) TO BS1134-PT2.  
ALL MACHINED SURFACES TO BE  $\sqrt{\text{ }}$  ALL SCREW THREADS TO BS3643 PT.2.

|                                      |  |                                   |                       |
|--------------------------------------|--|-----------------------------------|-----------------------|
| TITLE:<br><b>AIR 15 ASSEMBLY</b>     |  | DRAWING No.<br><b>SP10666-001</b> |                       |
| PROJECT:<br><b>AIR 15</b>            |  | SAP No.<br><b>TBC</b>             |                       |
| MATERIAL:<br><b>AS ABOVE</b>         |  | EST. WEIGHT: (Kg)<br><b>57.50</b> |                       |
| FINISH:                              |  | COLOUR:                           | TEXTURE/FINISH:       |
| THIRD ANGLE<br>PROJECTION TO BS 8888 |  | SCALE:<br><b>1:10</b>             | SHT 1<br>OF<br>1 SHTS |
|                                      |  | SHEET:<br><b>A3</b>               |                       |



REPRODUCTION OF ANY PART OF THIS DOCUMENT IS FORBIDDEN WITHOUT PRIOR PERMISSION FROM VOID ACOUSTICS RESEARCH LTD.  
Registered in England & Wales No. 07533536  
 © DESIGN COPYRIGHT RESERVED.  
 CONFIDENTIAL AND PROPRIETARY INFORMATION OF VOID ACOUSTICS RESEARCH LTD.