

Inca 500

Key features:

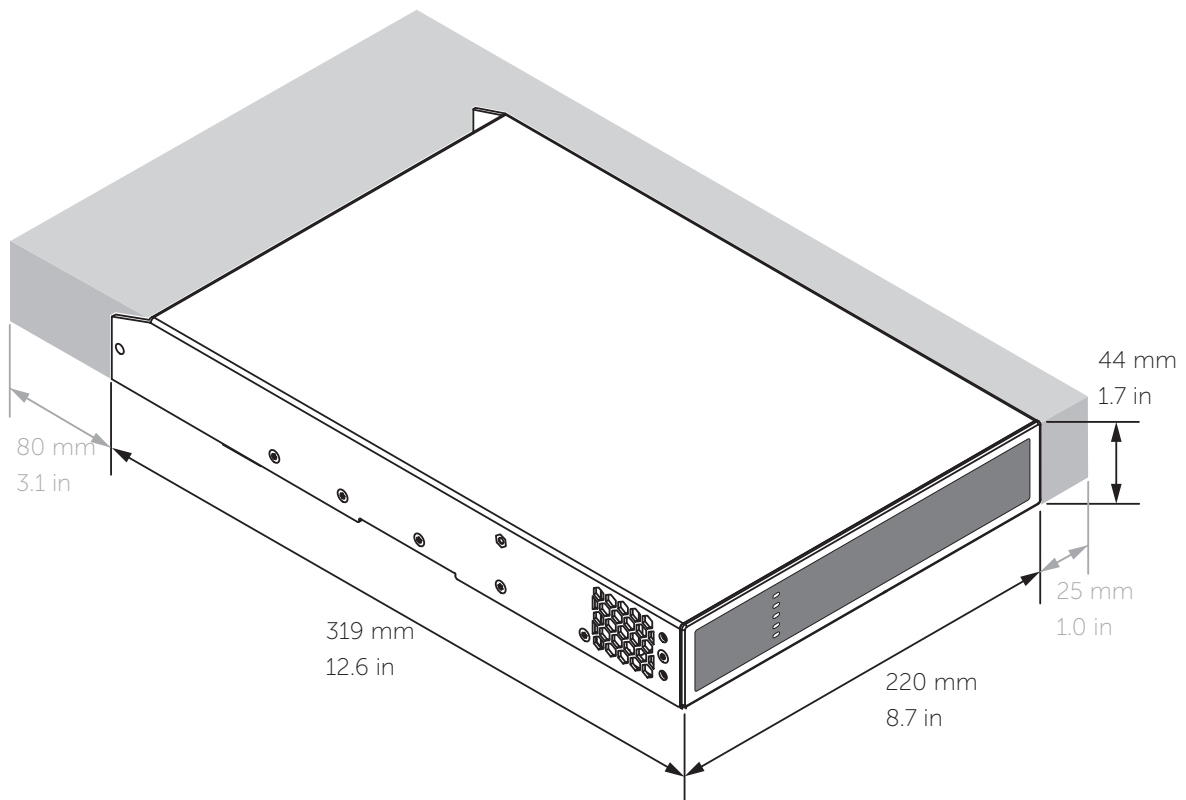
- Full matrix DSP embedded and controlled via TCP/IP
- Master / Slave functionality – S/PDIF link to multiple amps
- Market proven reliability
- Automatic power sharing
- Small size with flexible mounting



Applications:

- Gyms & Fitness
- Hotels & Resorts
- Residential
- Restaurants & Cafes
- Retail

The Inca 500 amplifier is a half rack width, 1U format power amplifier that can drive both conventional low impedance (Low-Z, 4Ω to 16Ω) loudspeakers and high impedance (Hi-Z, 70V/100V) transformer coupled loudspeakers. The Inca 500 provides four analog inputs, one stereo S/PDIF digital input, and four outputs (Low-Z mode) or two outputs (Hi-Z mode). It is capable of a maximum output of 125 Watts per channel into Low-Z loads or 250 Watts per channel into Hi-Z loads. The Inca 500 also incorporates automatic power sharing technology that enables 250 Watts to be shared proportionately as required across each output pair in Low-Z mode and the two outputs in Hi-Z mode.



Inca 500

Channel Handling

Number of output channels	4
Number of input channels	6 (4 analogue, 2 digital)

Audio

Frequency Response	20Hz-20kHz (+0/-0.25dB (8Ω load, 3dB below rated power)
Signal To Noise-Ratio	>106dB (A-weighted, 20Hz-20kHz, 8Ω load)
Output Circuitry	UMAC™ Class D - full bandwidth PWM modulator with ultra-low distortion
THD+N (typical)	< 0.05% (20Hz-20kHz, 8Ω load, 3dB below rated power)
Protection Circuits	Short circuit -, DC -, Undervoltage -, Temperature - and Overload protection

Construction

Dimensions	44 x 220 x 319 mm (1.7 x 8.7 x 12.6 in)
Weight	2.8kg (6.2 lbs)

Optional Accessories

2x Rack ears
1x ½ rack plate extension
2x ½ rack mounting
2x Rear supports

Output Stage

Total System Power	500 W
Output Power @ 4/8Ω	4 x 125 W
Output Power @ 70/100V*	2 x 250 W
Powershare (up to) Across all channels	2 x 250 W
Output Voltage	70Vp / 140Vpp (unloaded) // Bridged 140Vp / 280 Vpp (unloaded)

*100V line mode is @ 90 V (≈ -1dB)

AC Mains Power

Power supply	URECT™ universal mains switch mode power supply with Power Factor Correction (PFC) and standby converter
Nominal voltage	Universal Mains, 100V-240V, 50Hz-60Hz
Power Consumption	150W
Standby Consumption	< 0.5W
Operating Temperature	0-40°C
Power Ratings	1% THD @ 120Vac and 230Vac